

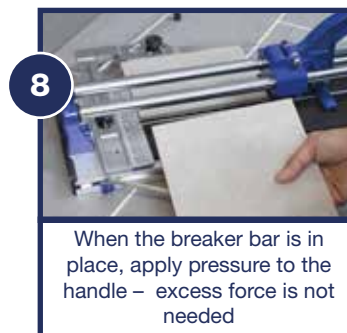
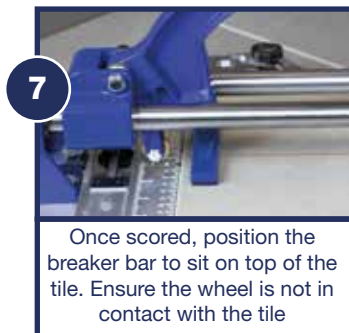
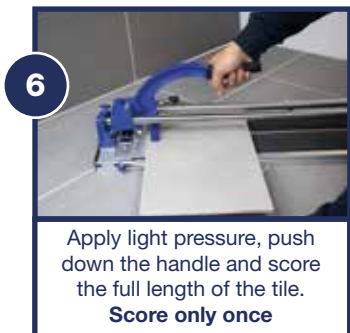
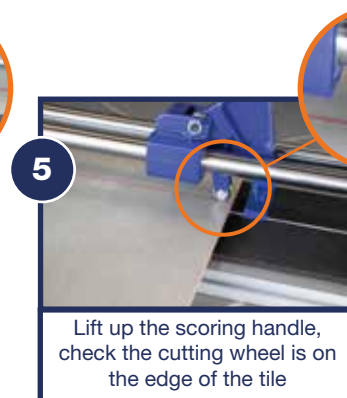
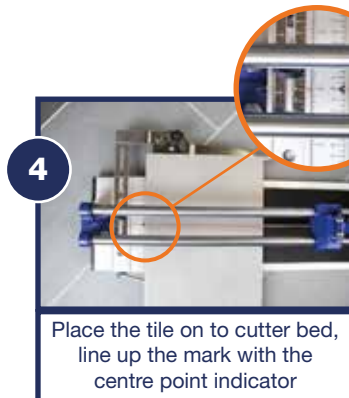
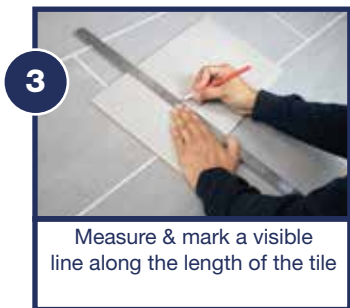


## Setting The Tile Cutter

Place the tile cutter on a flat surface.  
Fit the angle guide if supplied



## Straight Cuts



## Tips

- Use a Tile File to smooth sharp edges
- For smaller cuts and shaping, use Tile Nippers
- After cutting is complete, clean the cutter to prolong its life



## Angled Cuts

